

⚠ WARNING

- To reduce the risk of death, personal injury or property damage from fire, electric shock, falling parts, cuts/abrasions, and other hazards read all warnings and instructions included with and on the fixture box and all fixture labels.
- Before installing, servicing, or performing routine maintenance upon this equipment, follow these general precautions.
- Commercial installation, service and maintenance of luminaires should be performed by a qualified licensed electrician.
- For the installation: If you are unsure about the installation or maintenance of the luminaires, consult a qualified licensed electrician and check your local electrical code.
- To prevent wiring damage or abrasion, do not expose wiring to edges of sheet metal or other sharp objects.
- Do not make or alter any open holes in an enclosure of wiring or electrical components during kit installation.

⚠ WARNING

- Turn off electrical power at fuse or circuit breaker box before wiring fixture to the power supply.
- Turn off the power when you perform any maintenance.
- Verify that supply voltage is correct by comparing it with the luminaire label information.
- All wiring connections should be capped with UL approved wire connectors.

⚠ CAUTION

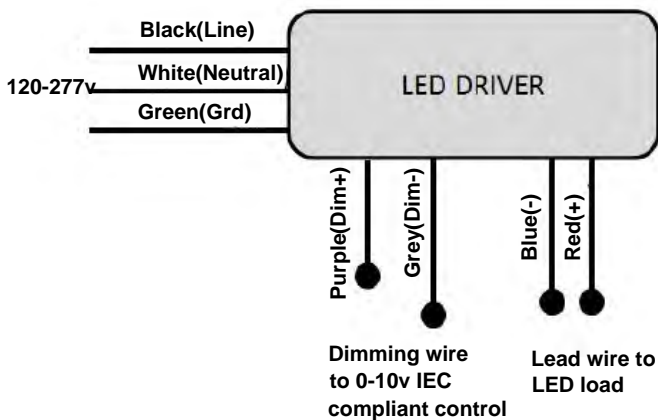
- Avoid direct eye exposure to the light source while it is on.
- Account for small parts and destroy packing material, as these may be hazardous to children.
- Risk of burn. Disconnect power and allow fixture to cool before changing bulb or handling fixture.

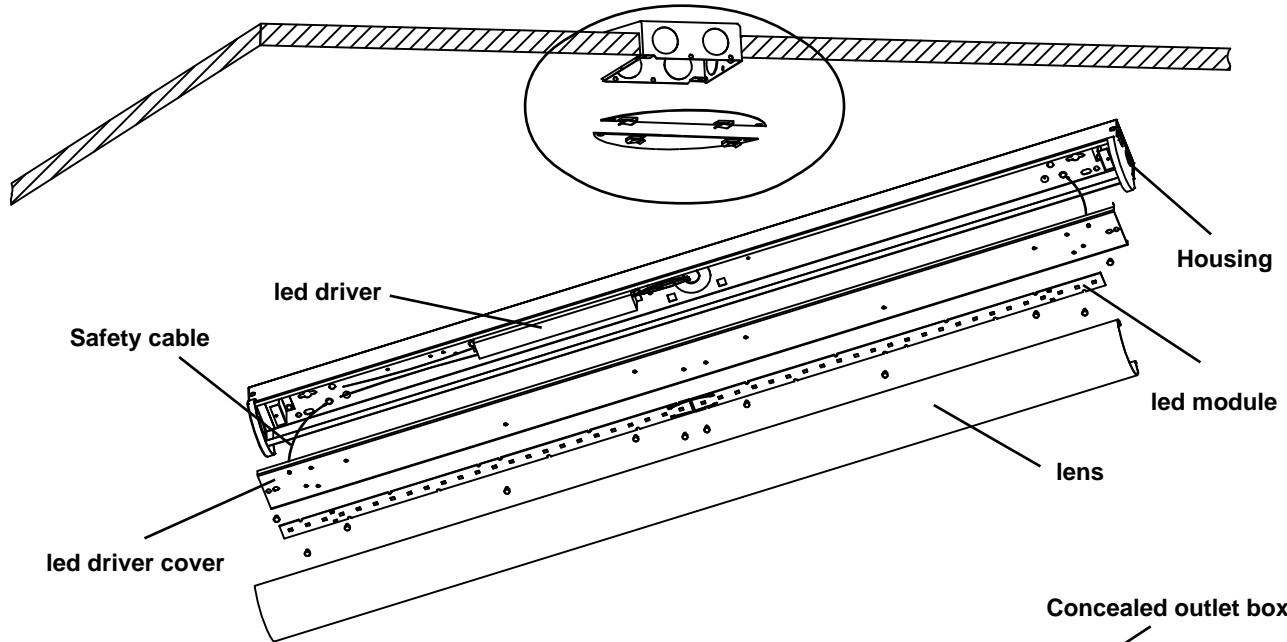
NOTICE: Green ground screw provided in proper location. Do not relocate.

NOTICE: Minimum 90° supply conductors.

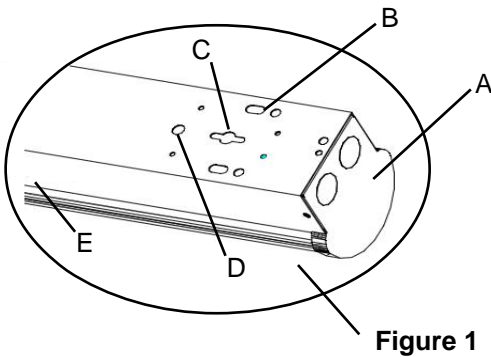
NOTICE: Specifications and dimensions subject to change without notice.

NOTICE: Suitable for Dry or Damp location

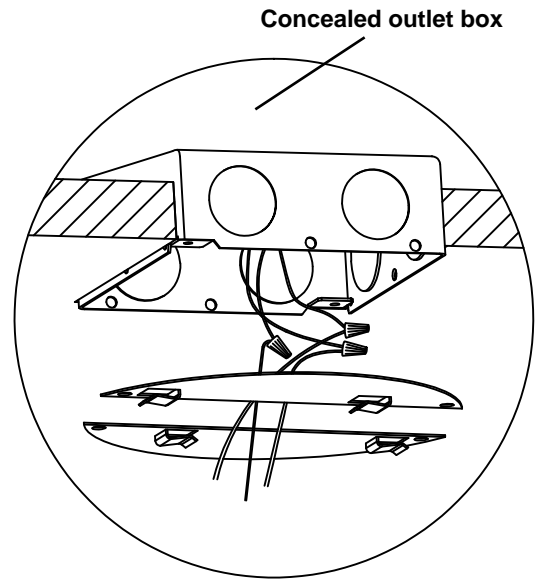
General Wiring Diagram



Mounting Options



- A:** End Cap
- B:** Chain Mounting with V hook
- C:** Surface Mounting
- D:** T-Bar Clip Mounting Hole
- E:** Wiring Knockouts



Installation Step:

Always turn off the power supply from main circuit breaker first!

B: Chain Mounting with V hook

Attach customer supplied V-Hooks to each end of the luminaire base. Attach customer supplied chain to the V-hooks and mounting surface.

C: Surface Mounting

Secure luminaire base to mounting surface by inserting customer supplied #8 anchor screws, toggle bolts or suitable fasteners, depending on structural conditions, into key hole slots on the top side of the luminaire base.

D: T-Bar Clip Mounting Hole

Attach customer supplied T-Bar clips to the designated opening on the luminaire as show in Figure 1. Bring luminaire into T-Bar ceiling grid and secure luminaire to grid.