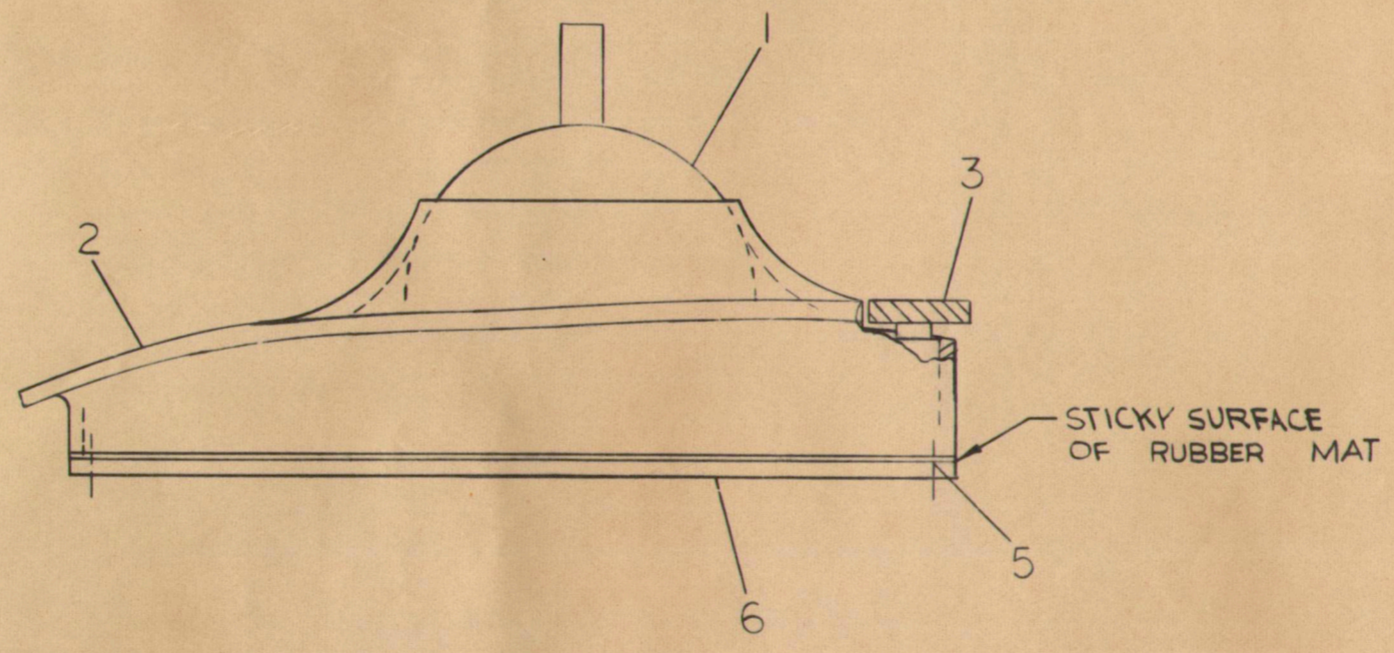
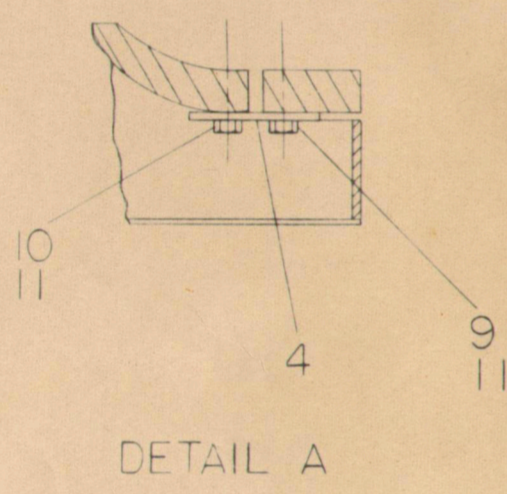
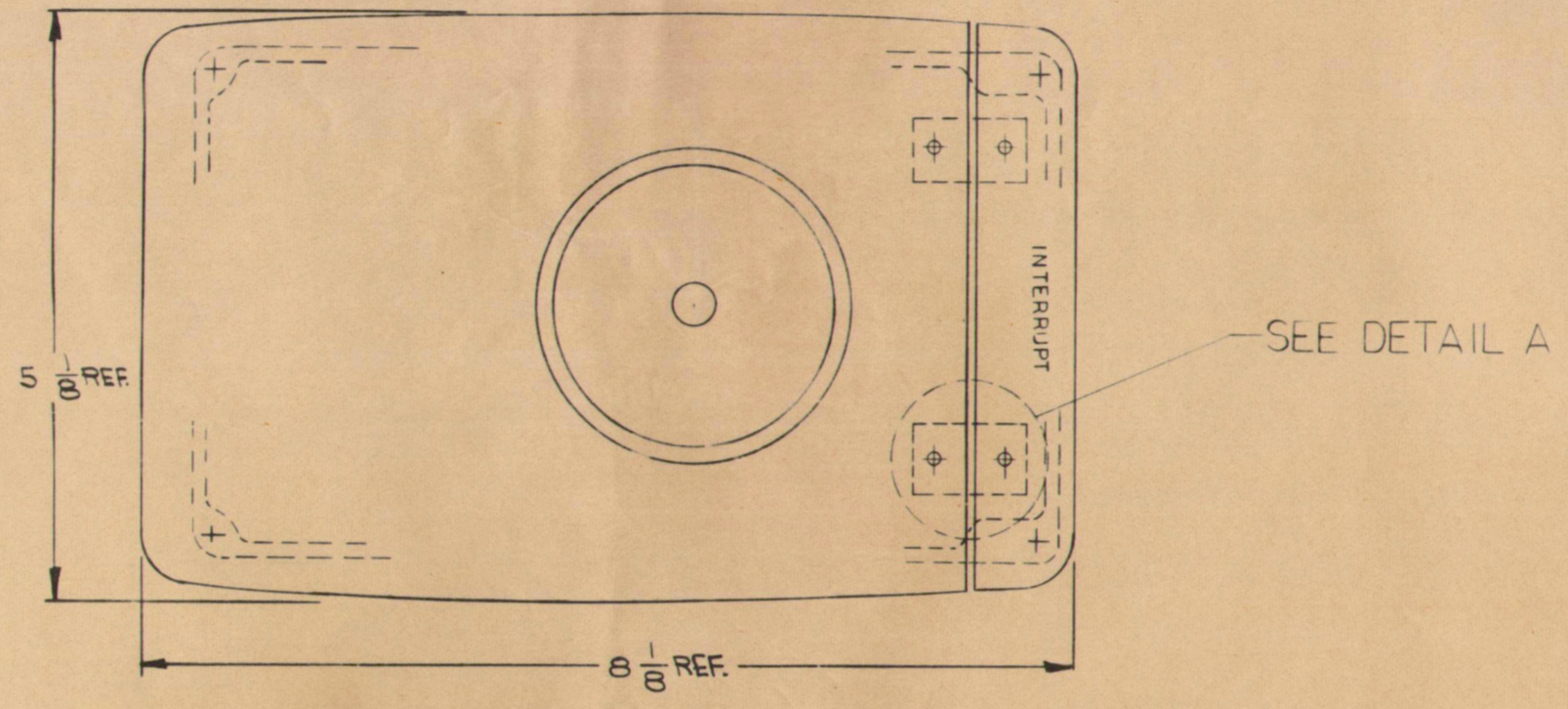


This drawing and specifications, herein, are the property of Digital Equipment Corporation and shall not be reproduced or copied in whole or in part as the basis for the manufacture or sale of items without written permission.

8 3/16 0-0-902H/0 2 1

NOTES:
 1. FOR DRAWING INDEX LIST REFER TO DWG # D-DI-H306-0-1
~~ASSEMBLY INSTRUCTIONS~~
~~1. ASSEMBLE ITEM #7 TO #4, THEN ASSEMBLE ITEM #4 TO #3 BY PRESSING ITEM #4 INTO GROOVE IN ITEM #3~~
~~2. FILL HOLES (2) IN HOUSING WITH ITEM #9. PRESS LEVER & HINGE ASSY INTO HOUSING UNTIL TOP OF LEVER IS LEVEL WITH TOP OF HOUSING. CURE TIME FOR LOCTITE (ITEM #8) IS 2 HRS. DO NOT OPERATE LEVER BEFORE CURE TIME IS COMPLETE~~



REV.	CHANGE NO.	DATE	BY	CHK.
A	H306-00006	4/22/68	C. VAILLANT	
B	H306 00009	5-27-68	C. VAILLANT	

FIRST USED ON OPT. ON MODEL	QTY.	DESCRIPTION	PART NO.	ITEM NO.
+	+	PARTS LIST		
UNLESS OTHERWISE SPECIFIED	DRN	DATE	digital EQUIPMENT CORPORATION MAYNARD, MASSACHUSETTS	
UNLESS OTHERWISE SPECIFIED	CHK'D	DATE	TITLE	
DIMENSION IN INCHES			JOYSTICK CONTROL ASSY	
TOLERANCES	ENG	DATE	REV. B	
DECIMALS ± .005	PROJ. ENG.	DATE	SCALE 1/1	
FRACTIONS ± 1/64	PROD.	DATE	SHEET 1 OF 1	
ANGLES ± 0°30'	NET HIGHER ASSY		SIZE CODE NUMBER	
FINAL SURFACE QUALITY			DUA H306-0-0	
REMOVE BURRS AND BREAK SHARP CORNERS			DIST. C 194 324 438 445	
MATERIAL			REV. B	
FINISH			REV. B	

DIGITAL EQUIPMENT CORPORATION
MAYNARD, MASSACHUSETTS
PARTS LIST

QUANTITY / VARIATION

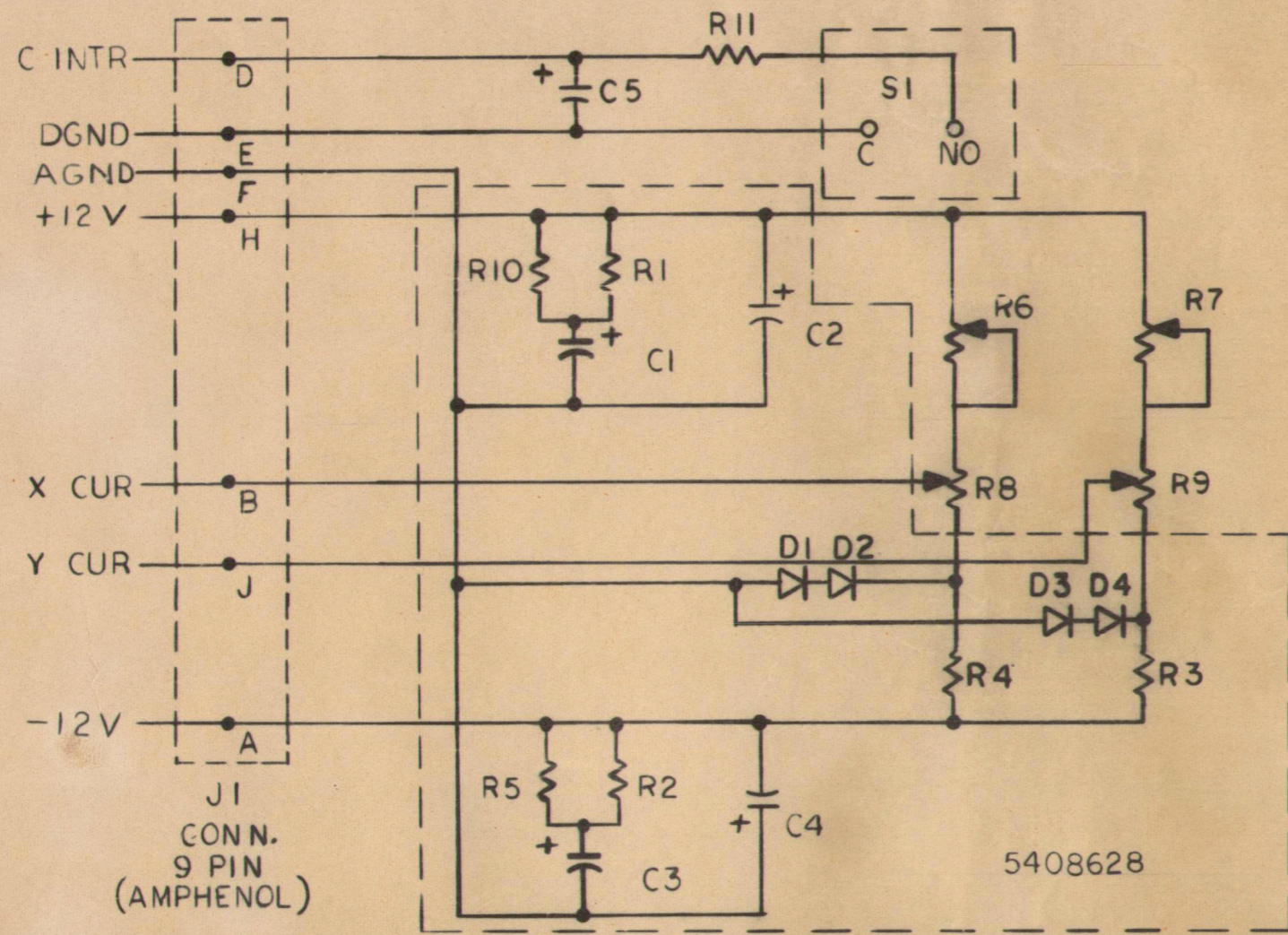
MADE BY D. FONTAINE	CHECKED E. EARLE	SECTION 1
DATE 11/11/68	DATE 11/13/68	
ENG <i>C. Vaillout</i>	PROD <i>P. Vaillout</i>	ISSUED SECT. 1
DATE 11/15/68	DATE 11/15/68	

ITEM NO.	DWG NO. / PART NO.	DESCRIPTION												
1	D-AD-7006036-0-0	BASE PLATE ASSY		1										
2	D-MD-7406989-0-0	JOYSTICK HOUSING		1										
3	C-IA-7407032-0-0	SWITCH LEVER		1										
4	B-MD-7407547-0-0	HINGE SPRING		2										
5	9006020-2	SCR FLAT HD PHL #6-32x1/4 LG		4										
6	C-MD-7407030-0-0	PROTECTIVE MAT, JOYSTICK HOUSING		1										
7	9007923	RET. RING #5144-9 3/32 TRUARC		1										
REF	B-CS-H306-0-1	CIRCUIT SCHEMATIC												
8		LOCTITE CAT. NO. 59-31 (SCREW LOCK)		A/R										
9	9006555	HEX NUT 2-56		2										
10	9006000-1	SCREW PAN HD 2-56 x 3/16		2										
11	9006631	LOCK WASHER INT TOOTH		4										

TITLE JOYSTICK CONTROL (H306)	ASSY NO. D-UA-H306-0-0	SIZE A	CODE PL	NUMBER H306-0-0	REV. B	ECO NO. H306-00009
	SHEET 1 OF 1	DIST. <i>G</i>	<i>324</i>	<i>434</i>	<i>435</i>	

REV. C
 NUMBER H306-0-1
 SIZE CODE B
 CS

THIS SCHEMATIC IS FURNISHED ONLY FOR TEST AND MAINTENANCE PURPOSES. THE CIRCUITS ARE PROPRIETARY IN NATURE AND SHOULD BE TREATED ACCORDINGLY. COPYRIGHT BY DIGITAL EQUIPMENT CORPORATION



D1, D2, D3, D4	D664 DIODE	1100114
C5	CAPACITOR 6.8 μ f	1005306
S1	SWITCH E-63-00A (CHERRY)	1209782
C2, C4	CAPACITOR 20 μ f	1002839
R1, R2, R5, R10, R11	RESISTOR 10 Ω	1301317
C1, C3	CAPACITOR .01 μ f	1001610
R3, R4	RESISTOR 3.3 K	1300439
R8, R9	RESISTOR 2.5 K	1309306
R6, R7	POT TRIM 5K	1305393
REF. DES.	DESCRIPTION	PART NO

REVISIONS	CHK	CHG NO	REV.
	0005	A	
	0007	B	
	0010	C	

DRN <i>B. Hutnak</i>	DATE 1/9/69
CHK'D <i>R. Russ</i>	DATE 1/31/69
ENG. <i>M. Ruben</i>	DATE 2/4/69
PROD. <i>B. Sullivan</i>	DATE 1-27-69

TRANSISTOR & DIODE CONVERSION CHART			
DEC	EIA	DEC	EIA

digital
 EQUIPMENT CORPORATION
 MAYNARD, MASSACHUSETTS

TITLE JOYSTICK CONTROL H306			
SIZE B	CODE CS	NUMBER H306-0-1	REV. C
PRINTED CIRCUIT REV.			

This drawing and specifications, herein, are the property of Digital Equipment Corporation and shall not be reproduced or copied or used in whole or in part as the basis for the manufacture or sale of items without written permission.

4

3

2

1

D

C

B

A

D

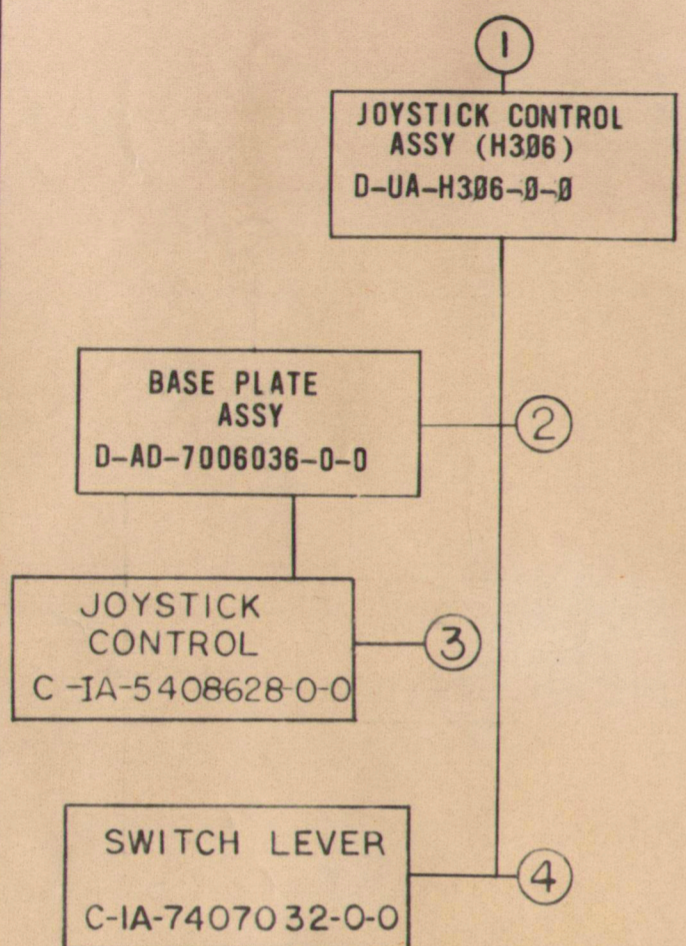
C

D

B

A

MECHANICAL			DEPT USAGE			ELECTRICAL			DEPT USAGE		
FIND NO	DESCRIPTION	PART NO.	PROD	CUST	F/C	FIND NO	DESCRIPTION	PART NO.	PROD	CUST	F/C
1	JOYSTICK CONTROL ASSY H306 JOYSTICK CONTROL H306(PL) HOUSING, JOYSTICK (MACH.DWG) HOUSING, JOYSTICK (CAST.DWG) PROTECTIVE MAT HINGE ROD	D-UA-H306-0-0 A-PL-H306-0-0 D-MD-7406989-0-0 E-SC-1209275-0-0 C-MD-7407030-0-0 A-MD-7406990-0-0				1	CIRCUIT SCHEMATIC ACCESSORY LIST	C-CS-H306-0-1 A-AL-H306-0-5			
2	BASE PLATE ASSY BASE PLATE ASSY (PL) SWITCH BRACKET PIVOT BRACKET PIVOT BLOCK ANGLE BRACKET BOTTOM PLATE JOYSTICK HSG HANDLE COVER VAR RESISTER REWORK	D-AD-7006036-0-0 A-PL-7006036-0-0 C-MD-7407033-0-0 B-MD-7407037-0-0 C-MD-7406974-0-0 B-MD-7406986-0-0 C-MD-7406988-0-0 B-MD-7406987-0-0 B-SC-1209274-0-0 A-MD-7407040-0-0									
3	JOYSTICK CONTROL	C-IA-5408628-0-0									
4	SWITCH LEVER SWITCH LEVER SILK SCREEN	C-IA-7407032-0-0 A-SS-7407032-0-1									



FIRST USED ON OPTION / MODEL H306	QTY.	DESCRIPTION	PART NO.	ITEM NO.
UNLESS OTHERWISE SPECIFIED				
UNLESS OTHERWISE SPECIFIED				
DIMENSION IN INCHES				
TOLERANCES				
DECIMALS ± .005	FRACTIONS ± 1/64	ANGLES ± 0°30'		
FINAL SURFACE QUALITY REMOVE BURRS AND BREAK SHARP CORNERS				
MATERIAL				
FINISH				
DRN <i>Robert Hutton</i> DATE 11/2/68		PARTS LIST		
CHK'D. <i>Don Cuddy</i> DATE 11-11-68		digital EQUIPMENT CORPORATION MAYNARD, MASSACHUSETTS		
ENG. <i>Bill Hunt</i> DATE 11/5/68		TITLE		
PROJ. ENG. <i>M. P. Mason</i> DATE 1-27-69		DRAWING INDEX LIST, H306		
PROD. <i>B. Vailliant</i> DATE 11/18/68		NEXT HIGHER ASSY		
D-UA-H306-0-0		SIZE CODE NUMBER REV.		
SCALE		CDI H306-0-4 D		
SHEET 1 OF 1		DIST. G		

REV.	CHANGE NO.	REV.
A	00003	A
B	00006	B
C	00010	C
D	00064	D

VAILLANT 3-3-69
 H306-00006 4/23/69
 C. VAILLANT 9-28-69
 H306-00010
 A. DE LUCA
 MISC -00064 12/22/69
 ARSENAULT 4-14-70
 M. P. Mason 4/18/69

4

3

2

1

REV. D
NUMBER CDI H306-0-4
B

DIGITAL EQUIPMENT CORPORATION
MAYNARD, MASSACHUSETTS

ACCESSORY LIST

LEGEND

D DOCUMENT
DN DOCUMENT CHANGE NOTICE
PA PAPER TAPE ASCII
PB PAPER TAPE BINARY
PM PAPER TAPE READ-IN-MODE

QUANTITY/VARIATION

MADE BY
DATE
DEE MORAN

CHECKED *W. Miller*
DATE 3-16-70

SECTION

ISSUED SECT.

PROD *W. Miller*
DATE 3-13-70

ITEM NO.	DWG NO. / PART NO.	DESCRIPTION	QUANTITY/VARIATION							KIT CHECK	BY	DATE	INSTALLATION CHECK	BY	DATE
1.	A-ML-H306	H306 Prints (latest rev.)	1												

TITLE _____ ASSY. NO. _____

SHEET 1 OF 1

SIZE CODE **A AL** NUMBER H306-0-5 REV. _____ ECO NO _____

DIST. _____