



## General Specification

### **Dimmable LED/CFL Incandescent/Halogen 0-10V Dimmer Single Pole/Three-way**



**Model No.: 51300L**

**Description:** The 51300L is a 0-10V decorator dimmer switch that provides optimal dimming control for 0-10V compatible LED drivers, fluorescent ballast and HID ballast. The 51300L dimmer features a mini paddle switch to turn your lights off or on and returning them to your desired level at any time.

#### **Features:**

- Convenient operation combines ON/OFF Decorator mini switch with separate slider for dimming control.
- Low voltage pig tails labeled separately.
- Switch 120-277 VAC
- Dimming control 10V
- Provide a wide range of dimming, lighting fades up and down smoothly.
- Adjustable high-end and low-end trim for optimal dimming performance.
- Designed for compatibility with most high efficacy light bulbs.
- Constant memory returns lights to previous level after a power failure
- Proper color matching.

#### **Testing & Code Compliance**

- UL listed
- California Title 24

## Operation

The 0-10 volt low-voltage lighting control provides dimming control for 0-10 volt compatible LED drivers, fluorescent ballast and HID ballast.

Minimum light level (low-end) shall be adjusted to optimize performance.

## Important Notes Please Read Before Installation

**Wiring Note:** Always turn off AC power before installation. Install in accordance with all local and national electrical codes.

**Fluorescent Lamps:** For the best dimming performance, new fluorescent lamps may need to be operated at full light output for a specified amount of time prior to dimming. Contact the lamp manufacturer for their specific recommendations concerning lamp seasoning.

**Load Rating:** A single low-voltage control can control up to 50mA of current. Contact Ballast or Driver manufacturer for current source on control wires to determine maximum load.

**Do not** connect this control to line voltage.

### Compatible Devices:

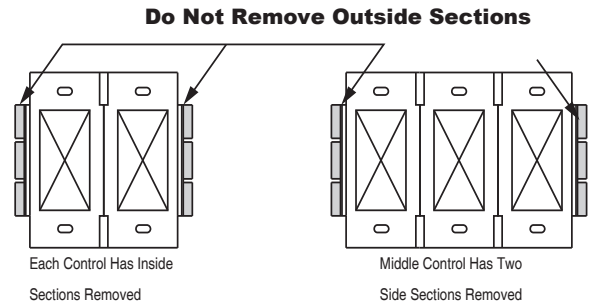
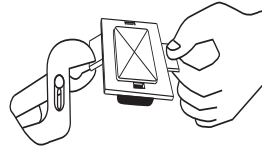
Works with all ballasts and drivers that provide a current source compliant to IEC 60929 Annex E.2.

### Compatible Drivers / Ballasts Include the Following:

Advance Xitanium® LED Drivers  
 Advance Mark VII 0-10v Electronic Dimming Ballasts  
 Metrolight Smart Electronic Ballasts for HID  
 Osram Sylvania OPTOTRONIC® OT DIM Dimming Ballasts  
 Osram Sylvania QUICKTRONIC® POWERSENSE®  
 Osram Sylvania QUICKTRONIC® HELIOS™ T5HO Dimming Ballasts  
 Universal Lighting Technologies SuperDim® Ballasts

## Multi-gang Installation

When installing more than one switch in the same wall box, it may be necessary to remove the side tabs before installing (see below). Using pliers, bend each tab back and forth until they break off. Repeat for each tab to be removed.



## Troubleshooting

### LIGHTS DO NOT OPERATE AT FULL BRIGHTNESS:

- Check to see that purple and gray wires are not cross connected in any fixture, conduit, or wallbox.
- Push slider up. Turn high-end trimpot counter-clockwise with a screwdriver to achieve maximum light intensity. The trimpot is initially set at the factory to the full counterclockwise position for maximum light intensity.

### LIGHTS DO NOT DIM LOW ENOUGH:

- If the rated dimming range is not achieved, check to see that purple and gray wires are not cross connected in any fixtures.
- Push slider down. Turn the low-end trimpot thumb-wheel counter-clockwise to achieve minimum light intensity.

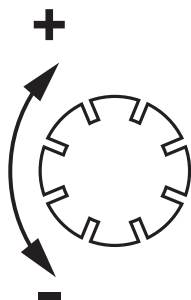
### LIGHTS TURN OFF OR FLICKER AT LOW END:

- Push slider down. Turn the low-end trimpot thumb wheel clockwise until the lights remain on without flickering.

## Sensitivity

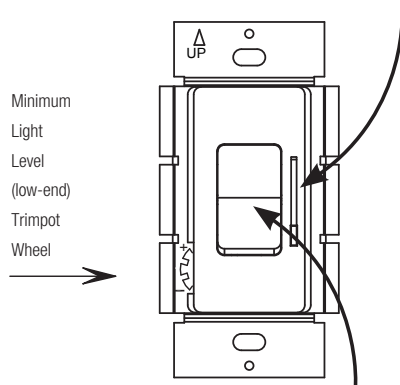
### knob:

**Up:**  
Brighter

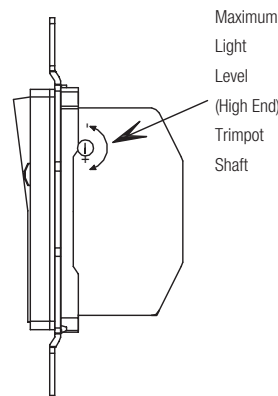


**Down:**  
Less bright

**Slider:** Controls light level. Up increases light level, down decreases light level.

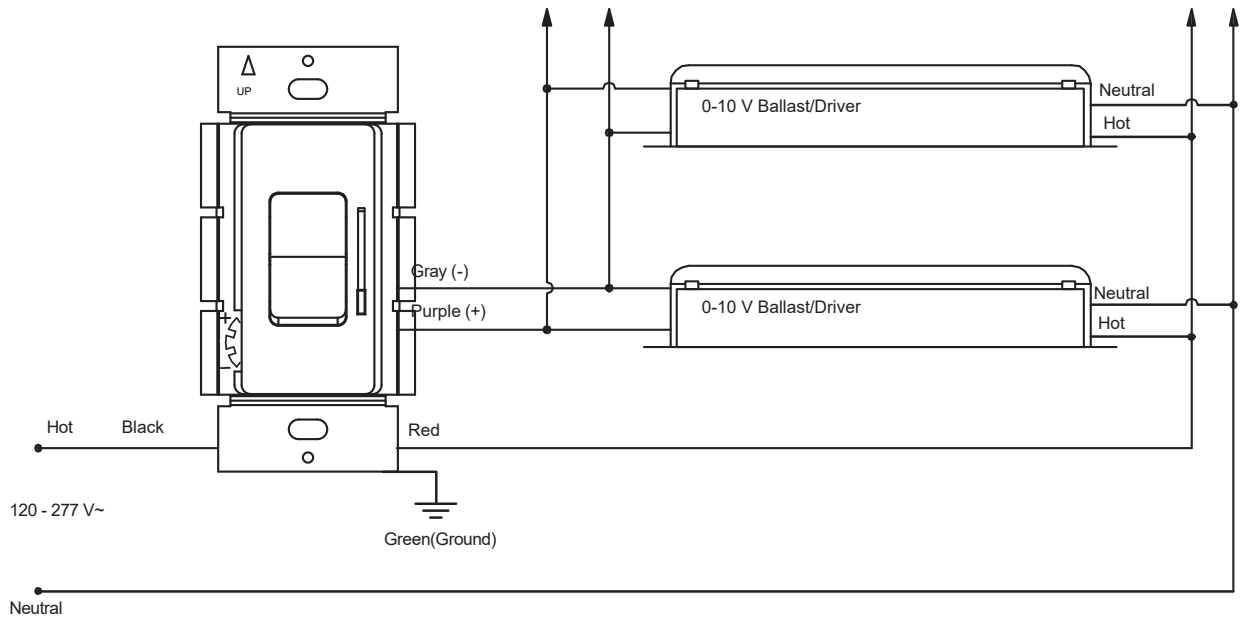


**Switch:** Turns lights ON and OFF



# Wiring Diagrams:

## Dimming With ON/OFF Control



## Dimming With ON/OFF Control for 3-Way

